

EIRICH Intensive Mixers

Type R05T/R09T

for Laboratories and Production



- **Economic**
- **Reliable**
- **Low in maintenance**

EIRICH R05T/R09T Mixers: Flexibility for La

Area of application

The mixers of the R05T and R09T series are used mainly for production lines or development laboratories which work with small batch volumes and which need to cope with the requirements of frequently changing quantities and compositions. For quick and easy emptying and cleaning, the mixers have a tilting function.

Advantages

- Short mixing times and high homogeneity thanks to high energy input into the material
- Product quality and batch times with reliable reproducibility
- Optimized tooling for each specific application

Servicing and cleaning

- For easy accessibility for cleaning, inspections and tool changes, the cover on the mixing pan can be swiveled up
- Wear protection linings adapted to each specific application
- Easy-to-adjust bottom and wall scraper
- Web tool for easy identification and ordering of spare and wear parts

Feeding

The mixing pan is fed in the swung open position. To empty it, the mixing pan can be tilted.

Drives / Motors

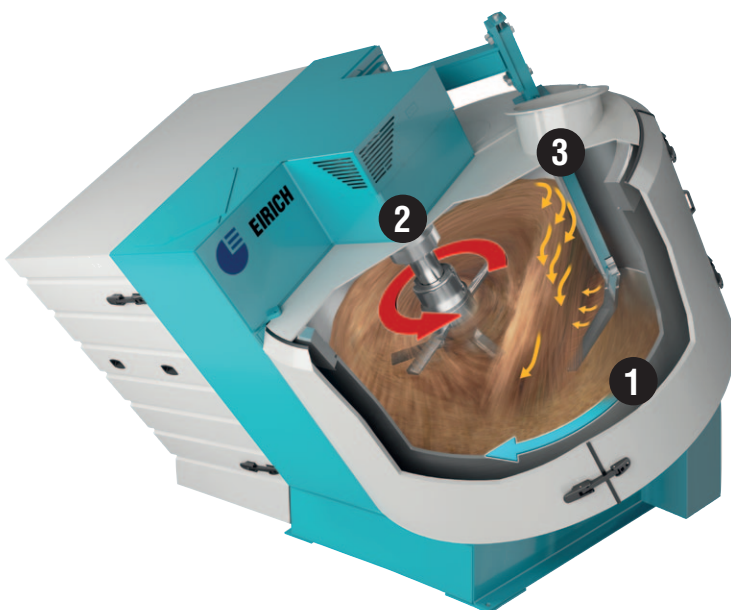
Mixing pan: Direct drive by geared motor

Rotor: By V-belt drive and standard motor (R09T: Direct drive also possible)

Discharge by tilting: Electrohydraulic drive.

Special designs

All product-contacting parts can be manufactured using special materials.



Mixing system

A **rotating and inclined mixing pan (1)** with eccentric **mixing tool (2)** produces optimum mixing results in a very short time. The **fixed bottom and wall scraper (3)** cleans the mixing pan walls and helps both the movement of the material in the mixer and the discharging process.

laboratories and Production

Control solutions

Basic Touch Control with optimum push-button control for all the key functions, user-friendly **touch-screen interface** for setting the operating parameters and displaying current machine data such as the tool speed, motor power and torque.

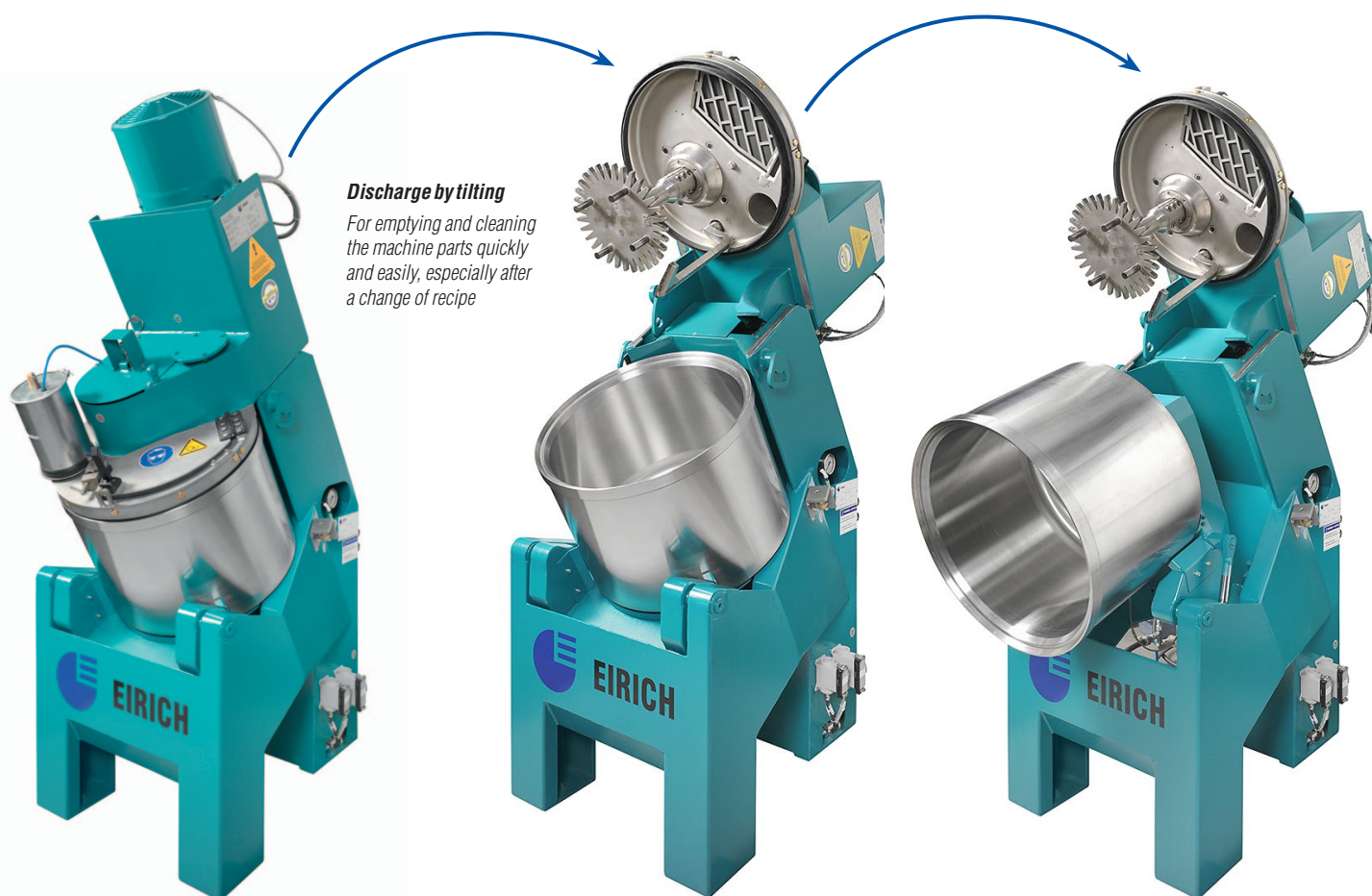
Premium Touch Control with user-friendly **multi-touch-screen interface** for convenient preparation, running and logging of the mixing processes along with recipe management and batch-specific recording of process values.

Options

- Integration of peripheral components, e.g. feeders
- Temperature measurement with recording function

General features

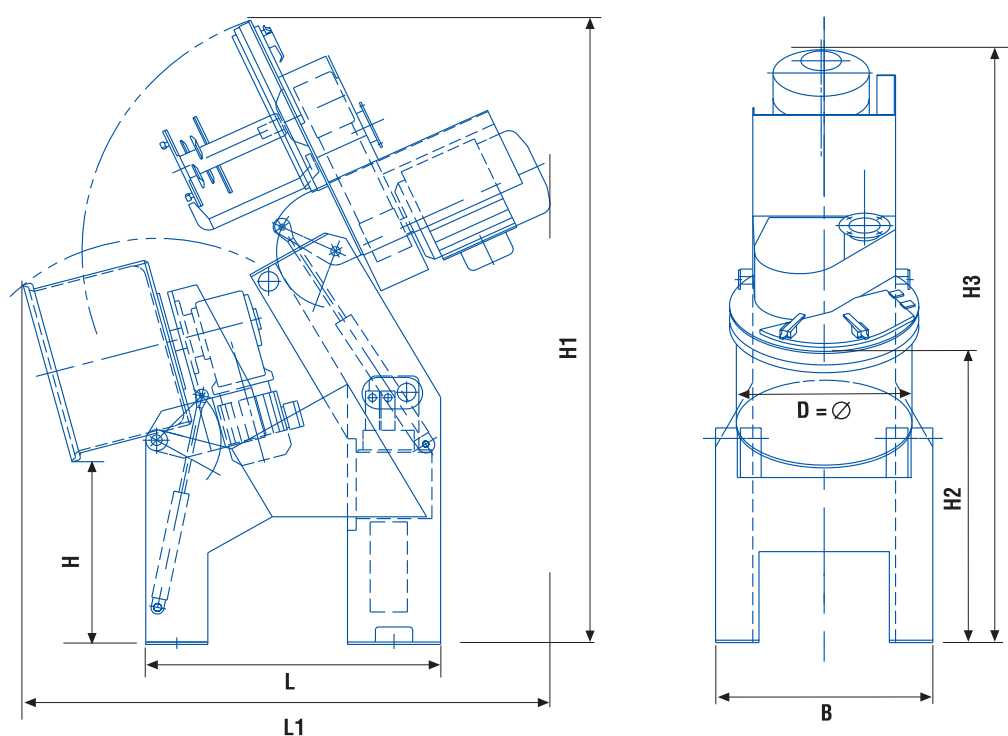
- Flexible link-up to higher-level control systems
- Recording of process values during mixing
- Contacts for activation of two material feeds



Technical data for your planning work

Type	Capacity*	Drive rating	Weight
R05T	15 - 40 liters, max. 65 kg	Mixing pan: 1.5 kW	approx. 650 kg
		Rotor drive: 3 - 15 kW	
R09T	50 - 150 liters, max. 240 kg	Mixing pan: 3 kW	approx. 1200 kg
		Rotor drive: 5.5 - 22 kW	

* depending on the product



Key dimensions (mm) at a glance

Type	H	H1	H2	H3	L	L1	B	D
R05T	600	2080	925	2000	950	1700	700	550
R09T	600	3000	1200	2800	1350	2400	1054	900

Our machines are subject to continuous further development in terms of technical design and may therefore vary from the illustrations provided in this brochure.